

Holyhead Towing

Tough Dependable Workboats

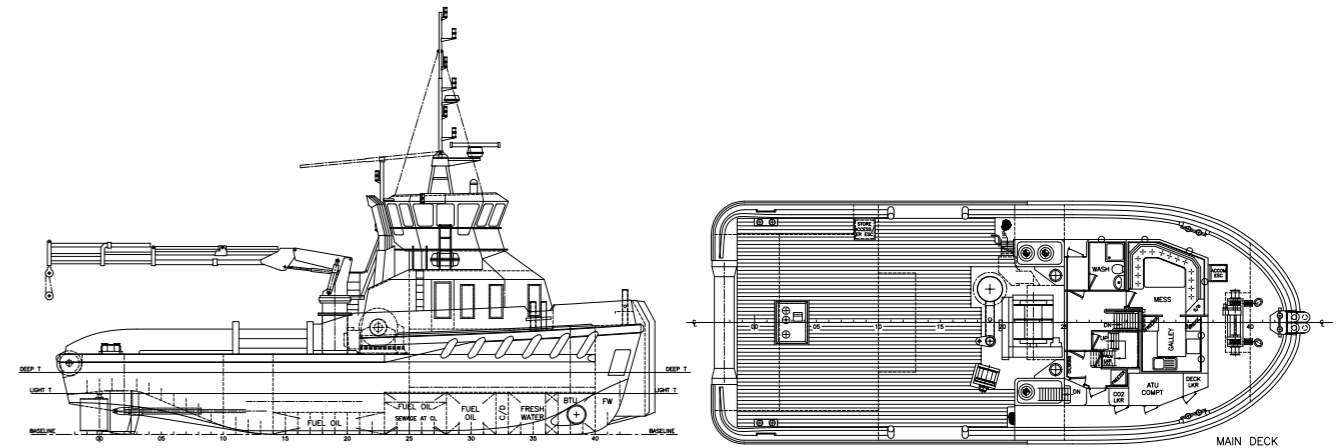
Afon Wen

Twin screw 25m shallow draft ice class AHT/workboat

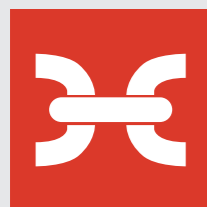


Afon Wen

Twin screw 25m shallow draft ice class AHT/workboat



Built	2009 - Hepworth Shipyard, UK	
Classification	Lloyds +100 A1 Tug LMC UMS, Ice Class IB	
Dimensions	Length	25m excluding fenders
	Beam	9.5m excluding fenders
	Draft	min working 2.0m max working 2.5m
Main Engines	2 x Cummins KTA38-M1 engines, total 2200bhp at 1600rpm, each driving 1600mm fixed pitch propellers in fixed nozzles through reverse reduction gearboxes fitted with box coolers	
Bollard pull	23 tonnes	
Free running speed	11 knots	
Tank Capacities	Fuel	100m ³
	Fresh Water	45m ³
Navigation Aids	GPS and magnetic compasses, DGPS, 2 x radars, echosounder, doppler log, AIS, cameras and displays, searchlights, Navtex, electronic chart display, autopilot, Inmarsat C, MF/HF radio, VHF radios, iridium satellite phone, email, cell phone.	
Equipment	150bhp bowthruster; 45 tonne split drum anchor handling and towing winch, 9 tonne tugging winch, hydraulic tow pins and hook, towing hook, 90t/m crane with capacity 18tonnes at 4.5m to 6 tonnes at 12.5m reach, stern roller; hardwood covered working deck, 2 x 6BT 5.9D-M 78kw generator sets, diesel hydraulic pump set, fuel and fresh water transfer pumps and hoses, push bow, hose handling gates.	
Accommodation	Heated and air conditioned to suit severe North Caspian conditions, for up to 12 persons in 6 cabins	



Holyhead Towing Company Ltd

Newry Beach Yard, Holyhead, Anglesey LL65 1YB UK

t. +44 (0)1407 760111

f. +44 (0)1407 764531

w. www.holyheadtowing.co.uk

e. towing@holyhead.co.uk



Holyhead Towing Company Ltd

Newry Beach Yard, Holyhead, Anglesey LL65 1YB UK

t. +44 (0)1407 760111

f. +44 (0)1407 764531

w. www.holyheadtowing.co.uk

e. towing@holyhead.co.uk

